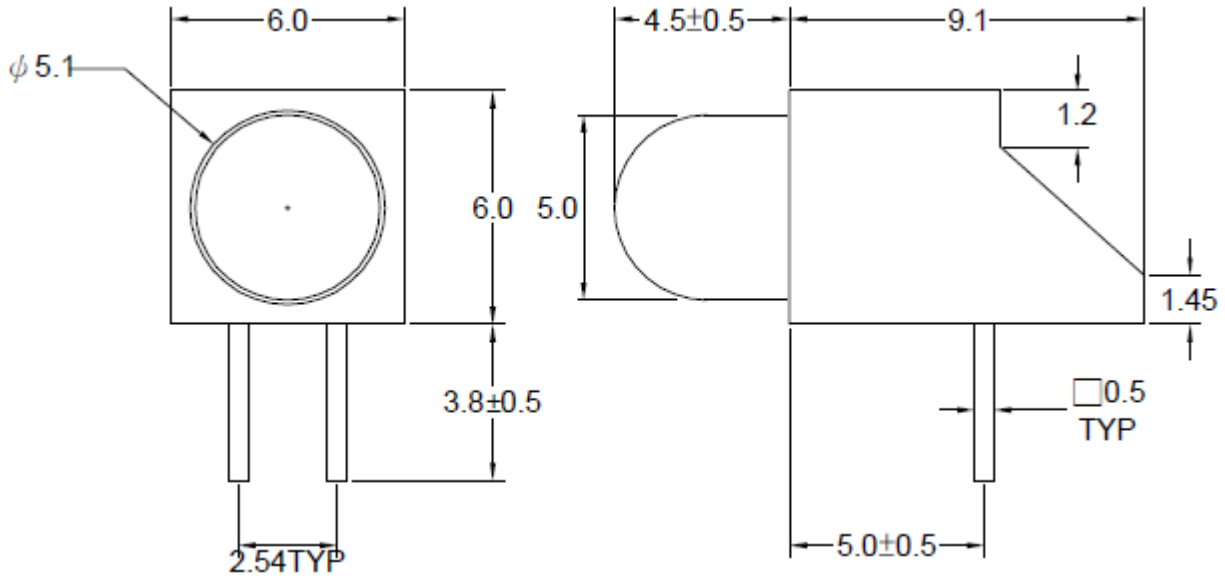


SPECIFICATIONS **CB50H1D**
PACKAGE OUTLINES


- Notes:
1. All dimensions are in millimeters (inches).
 2. Tolerance is ± 0.25 mm (0.01") unless otherwise noted.
 3. Specification are subject to change without notice.

Part Number	Chip Material	Color of Emission	Lens Type	Viewing Angle
CB50H1D	GaP	Red	Red Diffused	46°



ChromeLED Corp. reserves the right to make changes at any time in order to supply the best product possible. The most current version of this document will always be available at: www.chromeled.com

ABSOLUTE MAXIMUM RATINGS
(TA=25°C)

Parameter	Symbol	Max Rating	Unit
Forward current	I _f	15	mA
Reverse current @ 5V	I _r	10	μA
Power dissipation	P _d	40	mW
Operating temperature range	T _{opr}	-40~+80	°C
Storage temperature range	T _{stg}	-40~+100	°C
Peak pulsing current (1/10 duty f= 10KHz)	I _{fp}	60	mA
Soldering Temperature	T _{SOL}	Max 260°C for 5 sec Max	

OPTICAL-ELECTRICAL CHARACTERISTICS
(TA=25°C)

Parameter	Symbol	Test Condition	Value			Unit
			Min	Typ	Max	
Wavelength at peak emission	λ _{peak}	I _F = 20mA	-	700	-	nm
Spectral half bandwidth	Δλ	I _F = 20mA	-	90	-	nm
Dominant wavelength	λ _D	I _F = 20mA	-	660	-	nm
Forward Voltage	V _f	I _F = 20mA	1.7	2.1	2.6	V
Luminous intensity	I _v	I _F = 20mA	4.5	6.5	-	mcd
Viewing angle at 50% I _v	2Θ ½	I _F = 20mA	-	46	-	Deg

*NOTE: 1. The forward voltage data did not including ±0.1V tolerance 2. The luminous intensity data did not including ±15% tolerance



ChromeLED Corp. reserves the right to make changes at any time in order to supply the best product possible. The most current version of this document will always be available at: www.chromeled.com