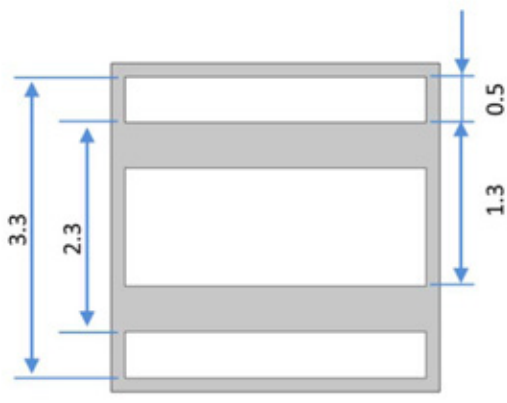
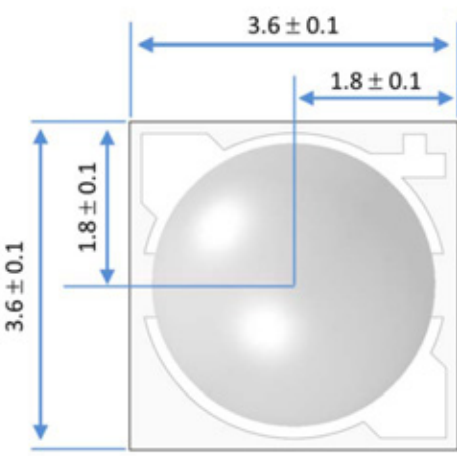
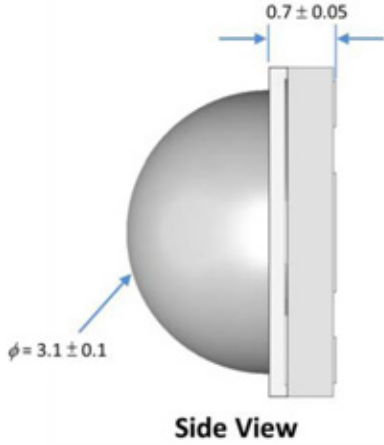
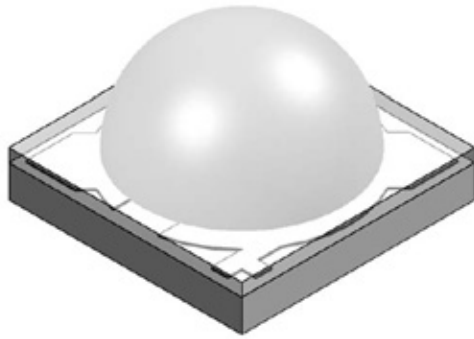


SPECIFICATION **CSHD1414B2C**

PACKAGE OUTLINES



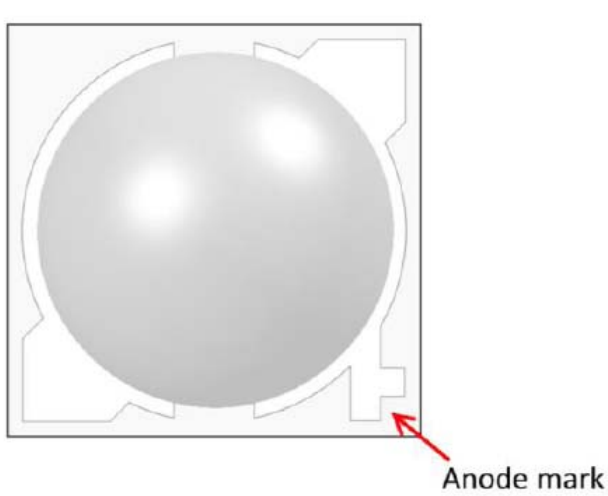
- Notes:
1. All dimensions are in millimeters (inches).
 2. Tolerance is $\pm 0.25\text{mm}$ (0.01") unless otherwise noted.
 3. Specifications are subject to change without notice.

| Part Number | Chip Material | Color of Emission | Lens Type | Viewing Angle |
|-------------|---------------|-------------------|-------------|---------------|
| CSHD1414B2C | InGaN | Blue | Water Clear | 130° |

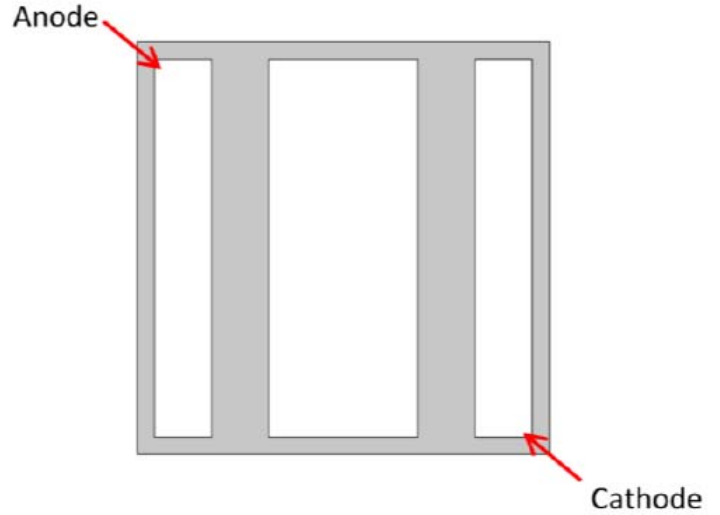


ChromeLED Corp. reserves the right to make changes at any time in order to supply the best product possible. The most current version of this document will always be available at: www.chromeled.com

RECOMMENDED SOLDER PADS

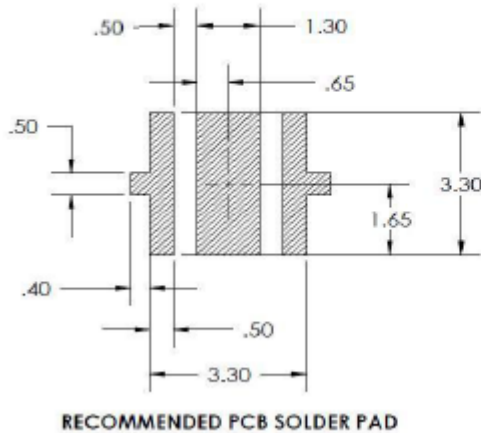


Top View

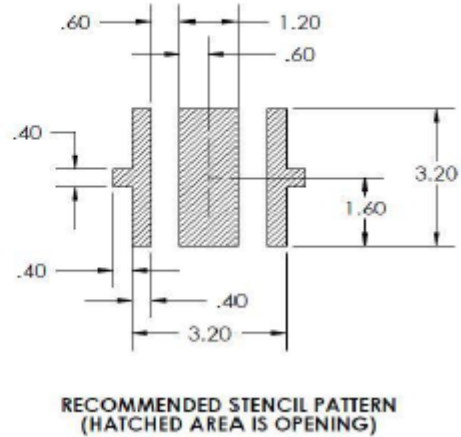


Bottom View

Recommended PCB solder pad:



Recommended stencil pattern:



ChromeLED Corp. reserves the right to make changes at any time in order to supply the best product possible. The most current version of this document will always be available at: www.chromeled.com

ABSOLUTE MAXIMUM RATINGS
(TA=25°C)

| Parameter | Symbol | Max Rating | Unit |
|--|--------|-------------------------|------|
| Forward Current | IF | 500 | mA |
| Reverse Voltage | VR | 5 | V |
| Operating Temperature Range | TOP | -40~+85 | °C |
| Storage Temperature Range | TSTG | -40~+100 | °C |
| Peak Pulsing Current (1/10 duty f = 10KHz) | IFP | 700 | mA |
| Soldering Temperature | TSOL | Max 240°C for 5 sec Max | |

OPTICAL-ELECTRICAL CHARACTERISTICS
(TA=25°C)

| Parameter | Symbol | Test Condition | Value | | | Unit |
|-------------------------|--------|----------------|-------|-----|-----|------|
| | | | Min | Typ | Max | |
| Luminous Intensity | Iv | IF = 350mA | - | 28 | - | lm |
| Forward Voltage | VF | IF = 350mA | - | 3.4 | 3.6 | V |
| Reverse Leakage Current | IR | VR = 5V | - | - | 10 | µA |
| Viewing Angle at 50% Iv | 2θ1/2 | IF = 350mA | - | 130 | - | Deg |
| Wavelength | λD | IF = 350mA | 450 | 455 | 475 | nm |

*Tolerance of viewing angle: -10 / +5 deg.

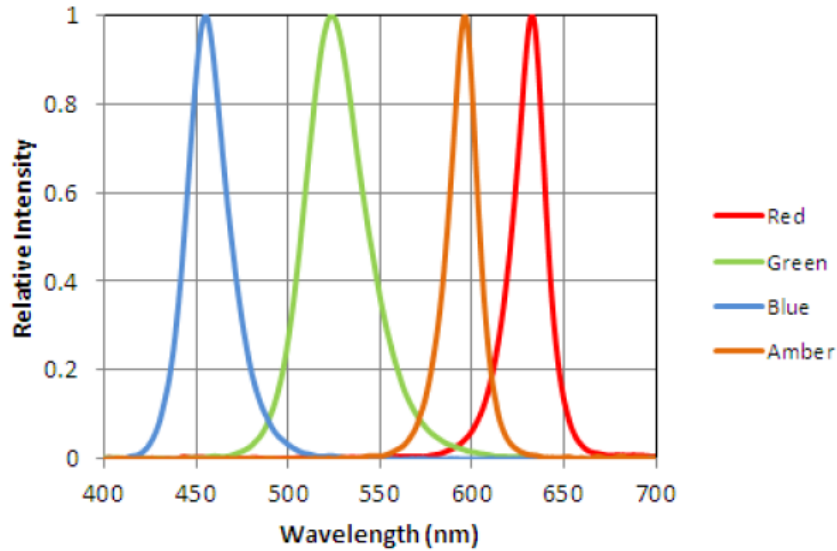


ChromeLED Corp. reserves the right to make changes at any time in order to supply the best product possible. The most current version of this document will always be available at: www.chromeled.com

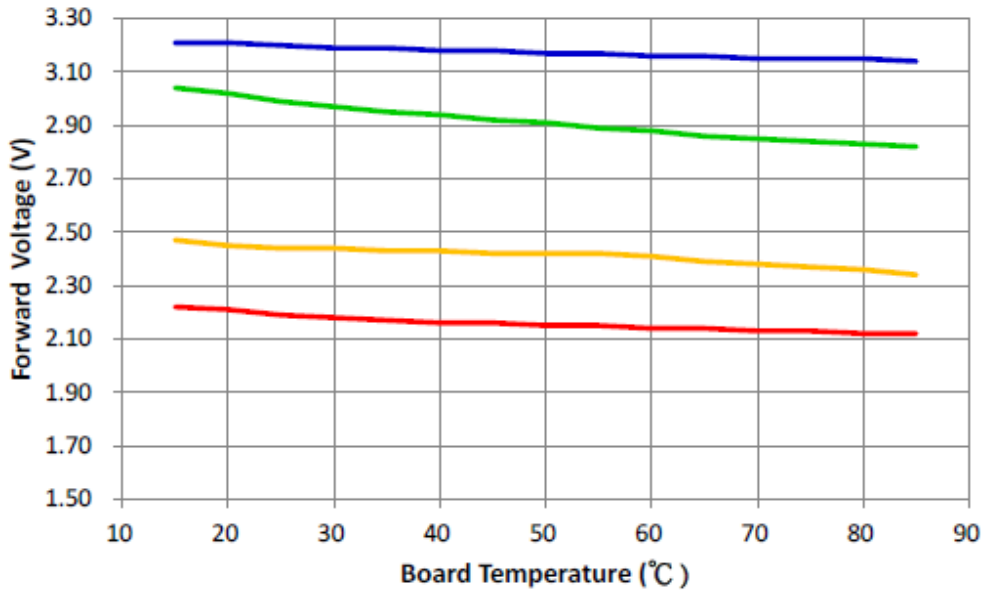
OPTICAL CHARACTERISTIC CURVES

Relative Spectral Distribution vs. Wavelength Characteristics

Nominal Red/Green/Blue/Amber - Thermal Pad Temperature = 25°C



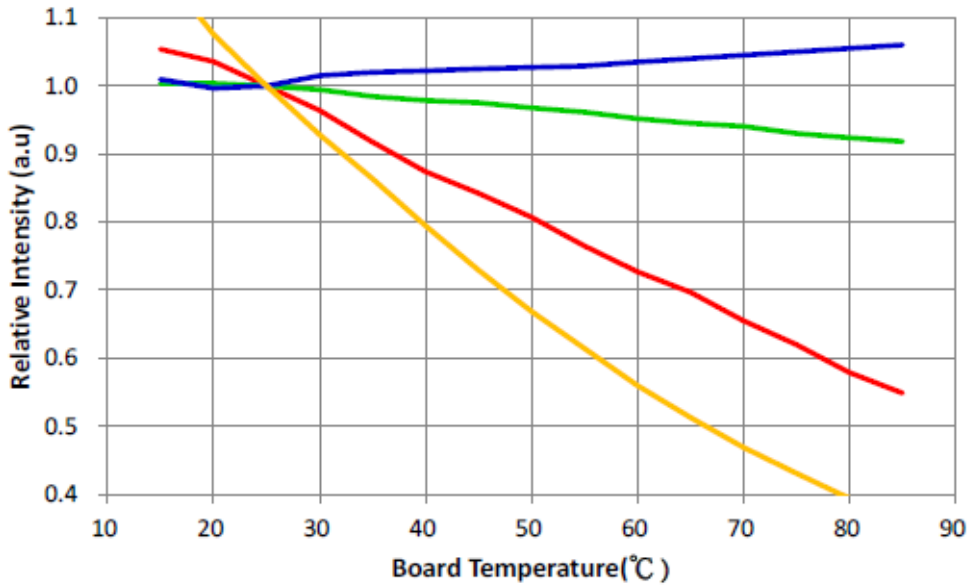
Forward Voltage vs. Thermal Pad Temperature @350mA



ChromeLED Corp. reserves the right to make changes at any time in order to supply the best product possible. The most current version of this document will always be available at: www.chromeled.com

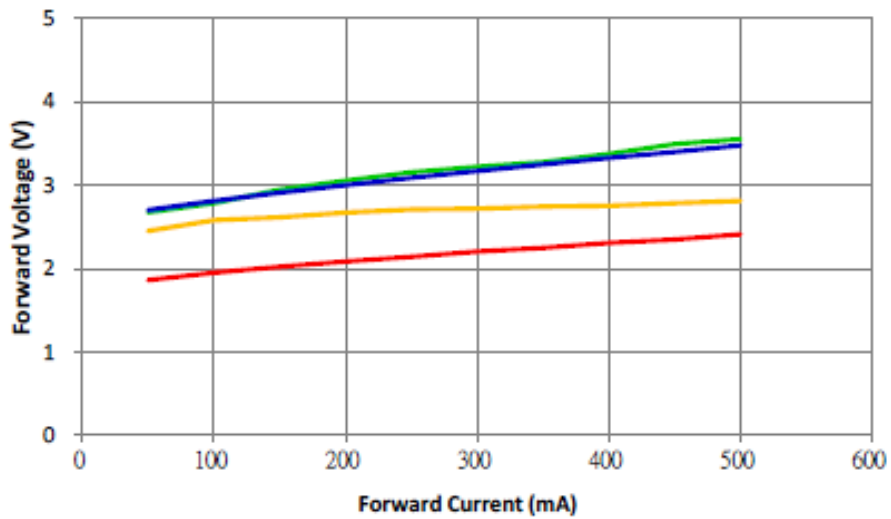
OPTICAL CHARACTERISTIC CURVES

Typical Efficacy vs. Thermal Pad Temperature @350mA

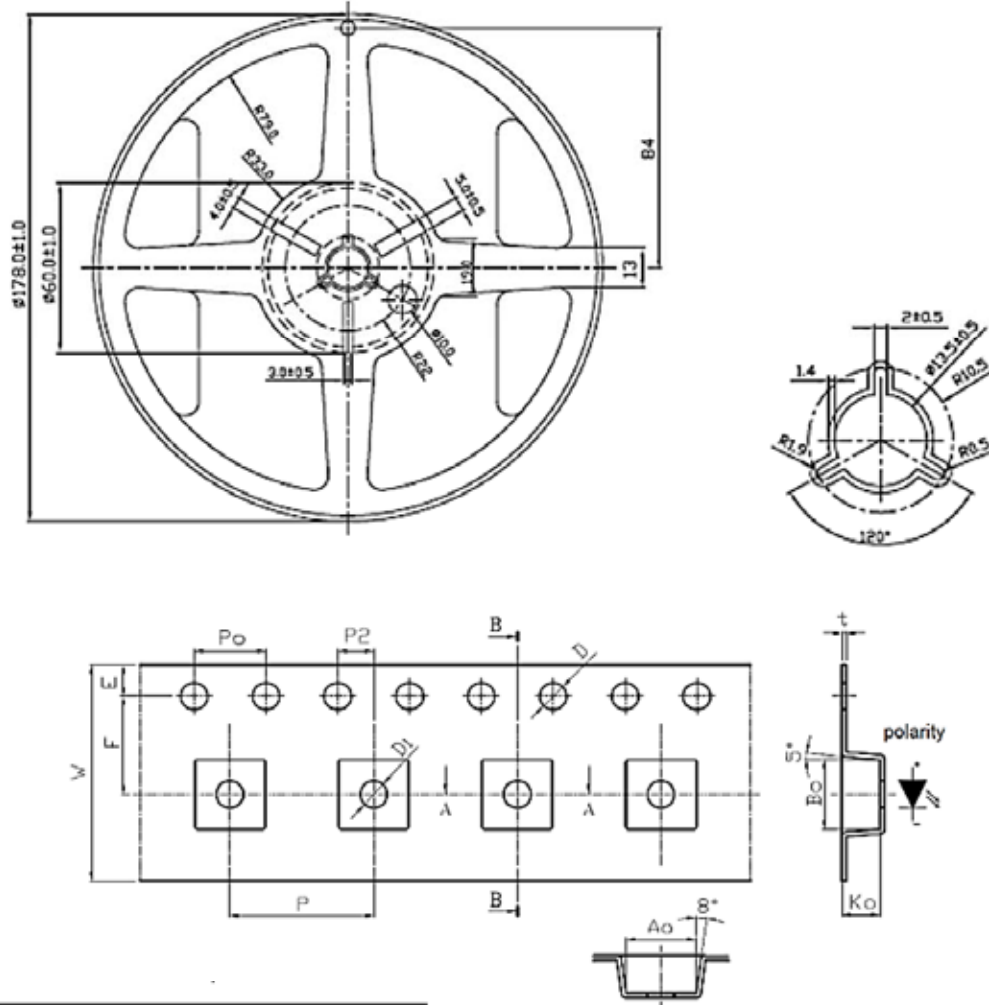


Typical Forward Current Characteristics

Thermal Pad Temperature = 25°C



ChromeLED Corp. reserves the right to make changes at any time in order to supply the best product possible. The most current version of this document will always be available at: www.chromeled.com

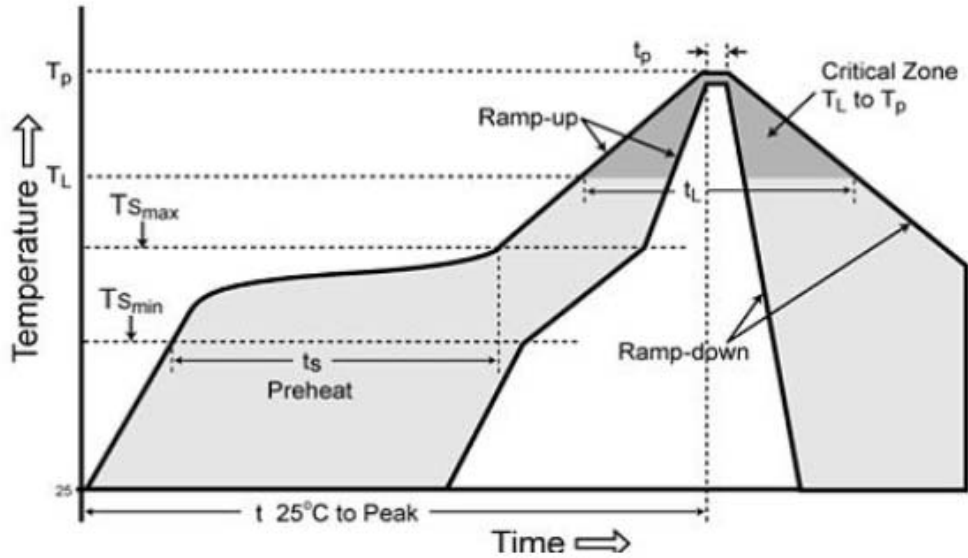
PACKAGING SPECIFICATION
TAPE & REEL DIMENSIONS


| Symbol | Dimension |
|--------|------------------------|
| W | 12.00±0.10 |
| P | 8.00±0.10 |
| E | 1.75±0.10 |
| F | 5.50±0.05 |
| P2 | 2.00±0.05 |
| D | 1.50+0.10 or 1.50-0.00 |
| D1 | 1.50±0.10 |
| Po | 4.00±0.10 |
| 10Po | 40.00±0.20 |
| Ao | 3.90±0.10 |
| Bo | 3.90±0.10 |
| Ko | 2.15±0.1 |
| t | 0.26±0.05 |



ChromeLED Corp. reserves the right to make changes at any time in order to supply the best product possible. The most current version of this document will always be available at: www.chromeled.com

SOLDERING CONDITIONS



| Profile Feature | Pb-Free Assembly |
|---|------------------|
| Average ramp-up rate (TL to TP) | 3°C/second max. |
| Preheat | |
| Temperature Min (Tsmin) | 150°C |
| Temperature Max (Tsmax) | 200°C |
| Time (min to max) (ts) | 60-180 seconds |
| Time maintained above: | |
| Temperature (TL) | 217°C |
| Time (tL) | 60-150 seconds |
| Peak/Classification Temperature (Tp) | 240°C |
| Time within 5°C of actual Peak Temperature (tp) | 20-40 seconds |
| Ramp-down Rate | 6°C/second max. |
| Time 25°C to Peak Temperature | 8 minutes max. |



ChromeLED Corp. reserves the right to make changes at any time in order to supply the best product possible. The most current version of this document will always be available at: www.chromeled.com